

Z1910 8" X 8" A.R.E. SANI-FLORECEPTOR WITH 6" SUMP DEPTH

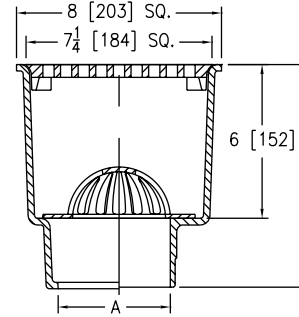


ENGINEERING SPECIFICATION

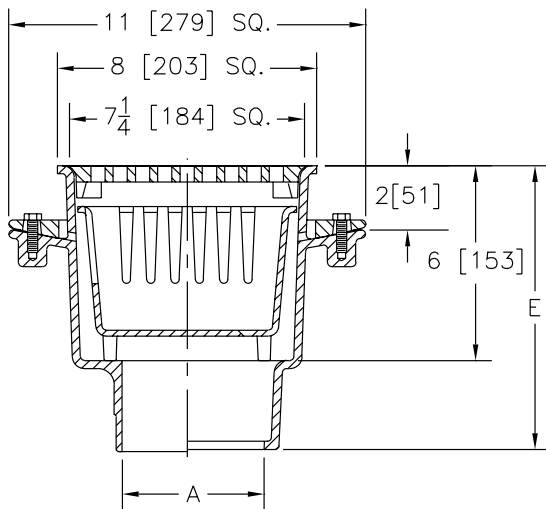
Zurn Z1910 Sani-Floreceptor features 8" x 8" x 6" deep cast iron body, square medium-duty grate with 7/16" slotted openings, and white acid resisting porcelain enamel interior and top - complete with white ABS anti-splash interior bottom dome strainer.

NOTE

*Add 1/2" to 8" dimension when specifying ZN1910.



Dimensions in inches [mm]		Approximate Weight lb [kg]	Grate Open Area sq in [cm ²]
A Pipe Size/Outlet Type	E Body Height Dimensions		
	Z	ZN	
Inside Caulk			
3IC, 4IC	8-3/4 [222]	9-1/4 [235]	25 [11] 19 [123]
No-Hub (NH)			
2NH, 3NH, 4NH	8-5/8 [219]	9-1/8 [232]	25 [11] 19 [123]
Neo-Loc (NL)			
2NL, 3NL, 4NL	8 [203]	8-1/2 [216]	25 [11] 19 [123]



PREFIXES	DESCRIPTION	A PIPE SIZE	Z (A.R.E.)	ZN (N.B.)
Z1910*	Cast Iron Body with White A.R.E. Interior and Top	2", 3" 4"	1,576.00	-
ZN1910†	Cast Iron Body with White A.R.E. Interior and Top, 8-9/16" Square N.B. Frame, and Full Grate with 5/16" Square Openings	2", 3" 4"	-	1,999.00

OUTLETS (SPECIFY PIPE SIZE IN INCHES AND TYPE OF OUTLET)				
OUTLET TYPE		PIPE SIZE/OUTLET TYPE	Z (A.R.E.)	ZN (N.B.)
IC	Inside Caulk	3IC, 4IC	N/C	N/C
NH	No-Hub	2NH, 3NH, 4NH	N/C	N/C
NL	Neo-Loc	2NL, 3NL, 4NL	N/C	N/C

SUFFIXES		Z (A.R.E.)	ZN (N.B.)
-DX	Dex-O-Tex Flange (ZN Only)	N/A	972.00
-K	Anchor Flange	184.00	184.00
-KC	Anchor Flange with Seepage Holes and Clamp Collar	339.00	339.00
-P	1/2" Trap Primer Connection (See Z1023)	194.00	194.00
Ⓞ -TC	Neo-Loc Test Cap Gasket (2", 3", 4" NL Bottom Outlet Only)	24.00	24.00
-2	1/2 Grate	N/C	N/C
-3	3/4 Grate	N/C	N/C
-4	Full Grate with Square Center Opening	178.00	178.00
-6	Grate with 6" Dia. x 6" High Funnel	488.00	626.00
-8	Grate with 8-7/8" x 3-5/8" x 3-3/4" High Oval Funnel	531.00	876.00
-11	Vandal-Proof Secured Grate (ZN only)	N/A	76.00
-15	Solid Loose Set Cover	98.00	171.00
-19	Full Hinged Grate (ZN only)	N/A	351.00
-23	Aluminum Bucket	200.00	200.00
-25	White A.R.C. Bucket	433.00	433.00
-31	Stainless Steel Mesh Liner for Bucket	472.00	472.00
-32	Aluminum Dome Strainer	N/C	N/C
-33	White A.R.C. Anti-Splash Bottom Dome Strainer	318.00	318.00

DEDUCT		Z (A.R.E.)	ZN (N.B.)
-LD	Less Bottom Dome Strainer	- 61.00	- 61.00
-1	Less Grate	- 194.00	- 303.00

BEST SELLERS	LIST PRICE
Z1910-2NH	1,576.00
Z1910-2NH-2	1,576.00
Z1910-3NH-2	1,576.00
Z1910-3NH-2-25	2,009.00
ZN1910-3NH-2	1,999.00
ZN1910-3NH-2-23	2,199.00
Z1910-3NL	1,576.00
Z1910-3NL-2	1,576.00
ZN1910-3NL-2-32	1,999.00
Z1910-4NH-2	1,576.00
Z1910-4NL-2	1,576.00

Supplied By:



877-903-7246

www.commercialplumbingsupply.com

*Regularly furnished unless otherwise specified.

Items designated as Best Sellers are most specified and are generally in stock for shipment.

⌚ This symbol denotes a product that is engineered to reduce installation and rework time.

For additional product information, please visit www.zurn.com